

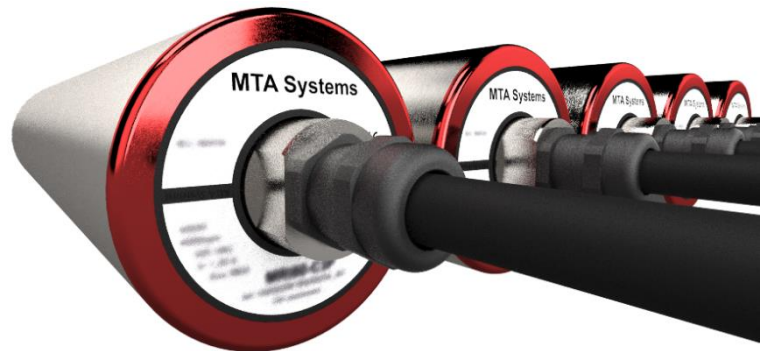
# **PRODUCT PORTFOLIO**

## **DRUM MOTORS**

Drum motors are electrically driven conveyor rollers. The motor is integrated in the tube.

Standardised encoder signals are available for control with external drive controllers.

Drum Motors are integrated sensorless, with a hall sensor, magnetic encoder or resolver according to requirements.



A product portfolio is available for transporting small load carriers, containers, and packages to heavy packages. Encoder signals can be individually adapted for motor commutation, mechanical power, clamping length, diameter, and tube quality.

### **Properties:**

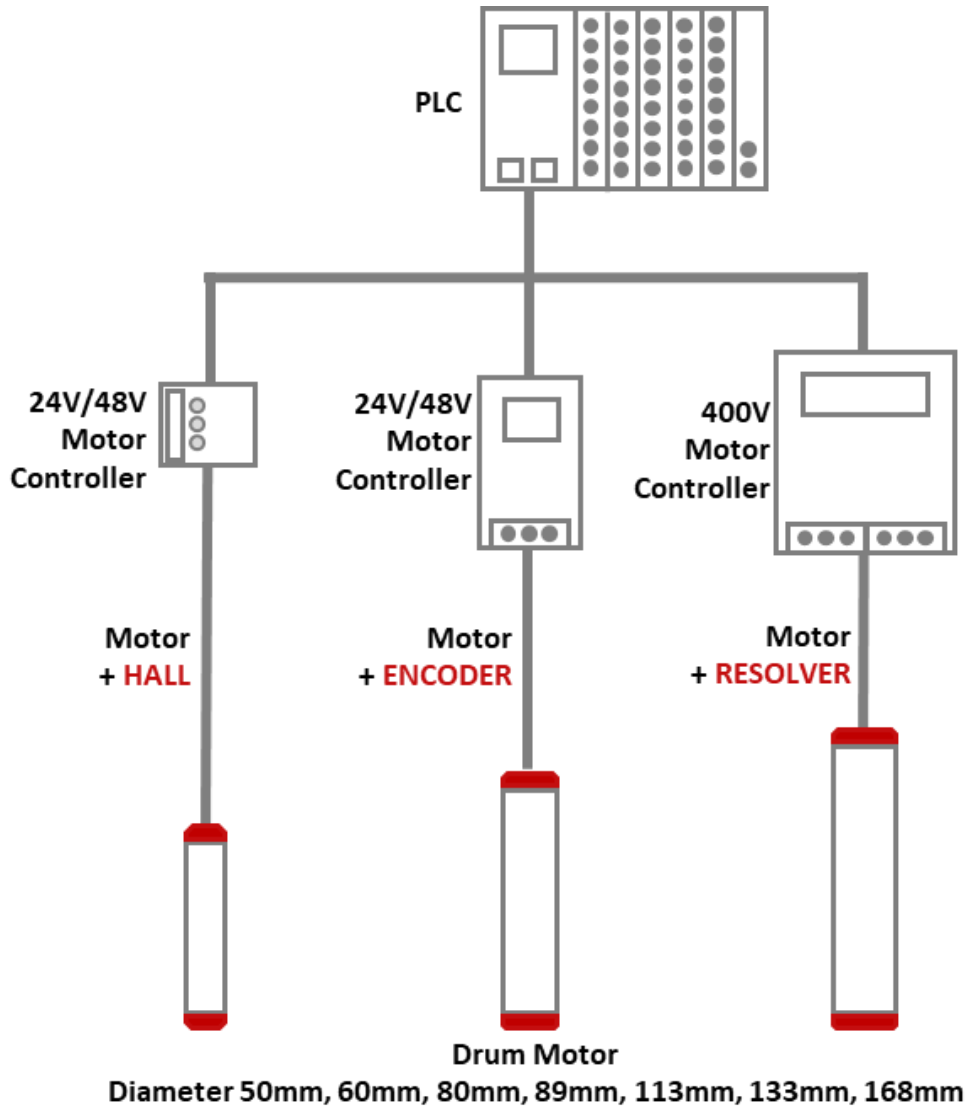
- Feedback systems for external drive controllers
- Nominal voltage 24 VDC, 48 VDC or 400 VAC
- Power range up to 730 W
- Tube diameter from 50 mm to 168 mm
- Gearless versions
- With increased torque demand, integrated gear versions
- Integrated brake versions

### **Advantages/Benefits:**

- Flexible adaptation to decentralised third-party controller possible
- High performance available for heavy-duty transport
- Individual tube diameter for various applications
- End-to-end product platform through scalable construction form and motor performance
- Extremely low noise level with gearless versions

## System integration:

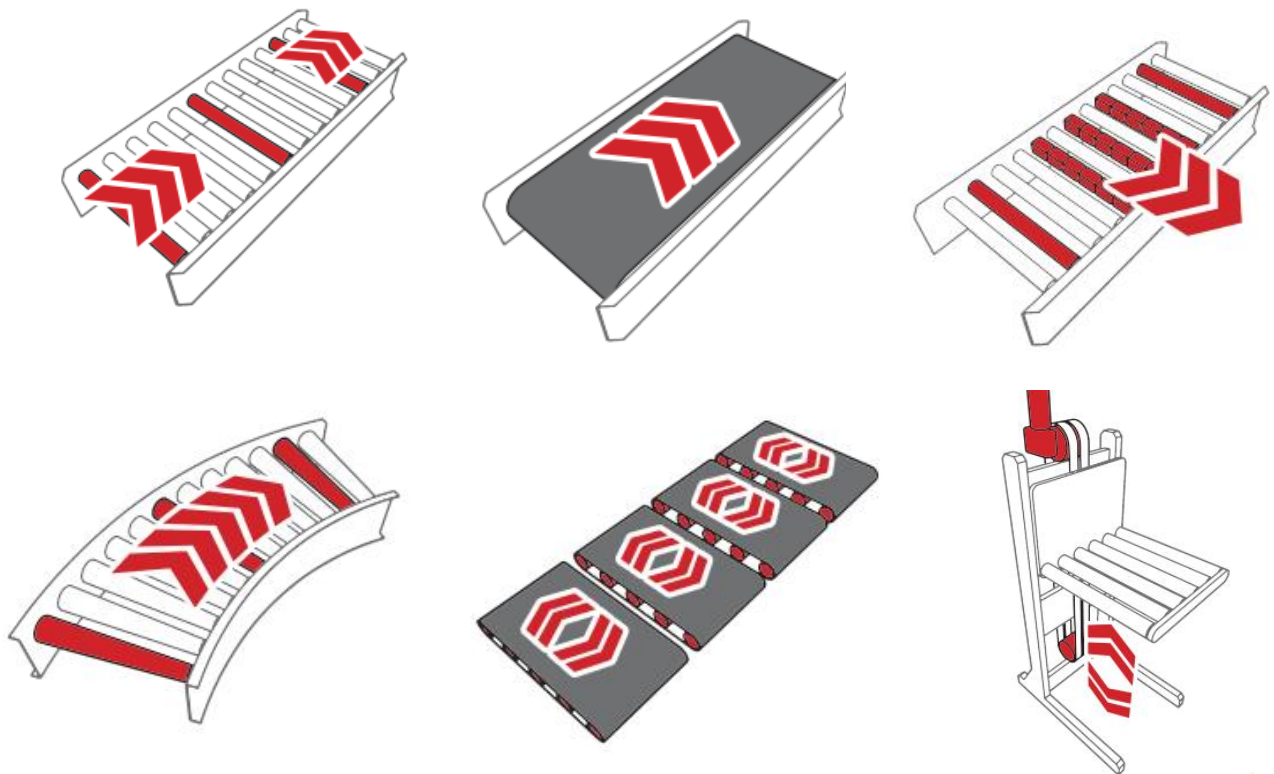
MTA drum motors can be effortlessly integrated in standardised automation systems. Operation with drive controllers from different manufacturers is possible with individually adaptable feedback interfaces.



**Areas of application:**

Drum motors are mainly used in stationary conveying equipment (longitudinal conveyors, transverse conveyors, accumulating conveyors, off-feeds or curved conveyors), however, are increasingly used in mobile applications (load-carrying equipment for AGVs or AMRs):

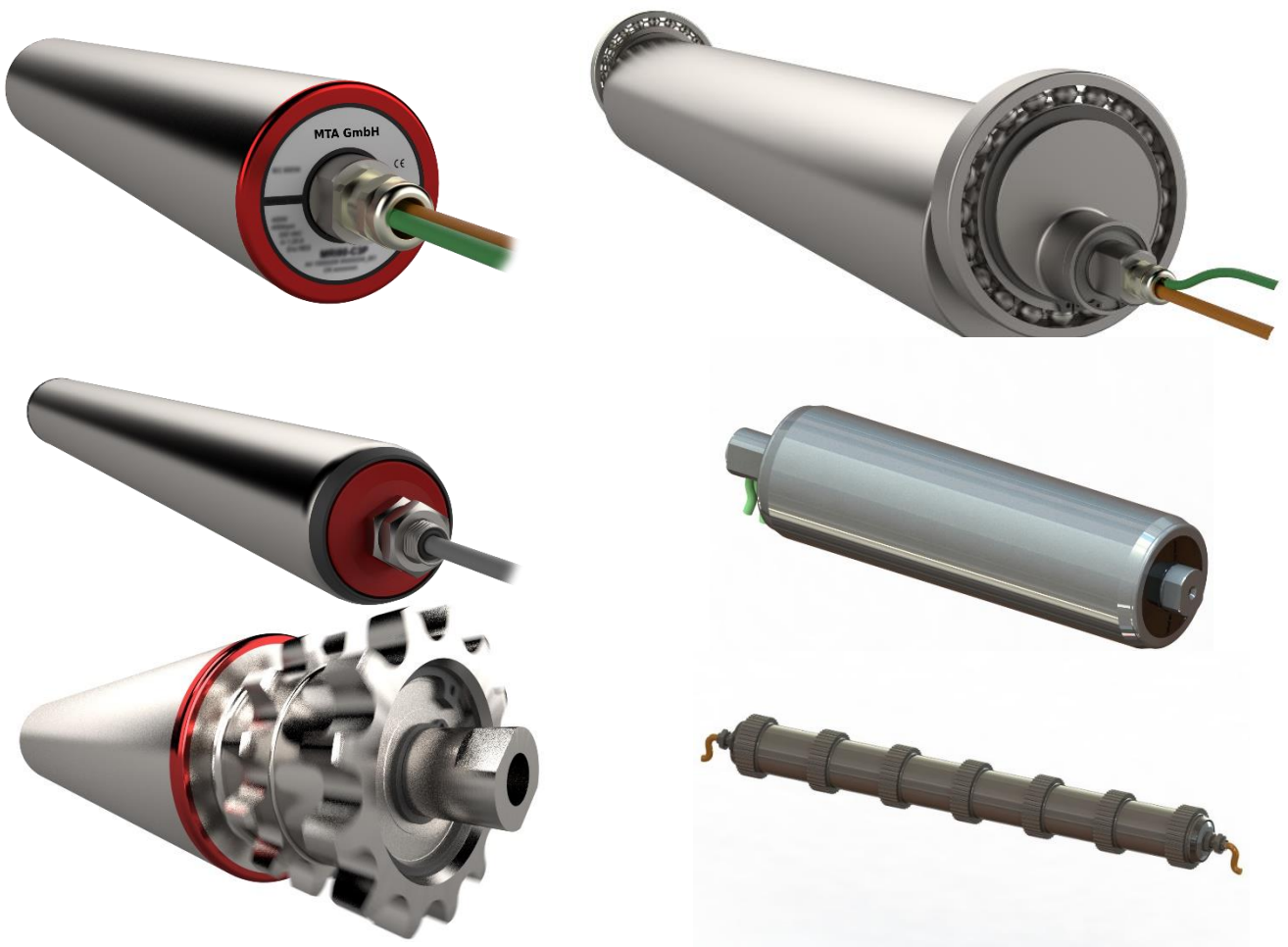
- Small load carriers
- Containers
- Packages
- Pallets
- Load-carrying equipment



**Portfolio overview:**

Nominal voltage	24 VDC / 48 VDC / 400 VAC
Mechanical power	10 W to 730 W
Speed range	0.2 m/s to 4.0 m/s
Interface	Sensorless or with feedback system
Tube diameter	50 mm, 60 mm, 80 mm, 89 mm, 113 mm, 133 mm, 168 mm
Clamping length	150 mm to 1.500 mm
Power transmissions	Round belt, Poly-V belt, sprocket, timing belt, etc.
Tube design	Steel or stainless steel, cylindrical, spherical, coated, tapered
Protection class	IP54
Connection technology	Plug-in, screwable or snap-in connectors, terminals

**Product images:**



## Type code:

Drum motors		DM	3	D	1	-	5	A	1	1	-	R	A	A	-	0650	-	AA	-	C111	
Drum motor		DM																			
	168 mm		9																		
	133 mm		8																		
	113 mm		7																		
	89 mm		6																		
	80 mm		5																		
	60 mm		4																		
Outer diameter	50 mm		3																		
Transfer	Gearbox			G																	
	Direct			D																	
Nominal voltage	400 VAC						9														
	48 VDC						3														
	24 VDC						1														
Diameter in mm	50	60	80	89	113	133	168														
			730	730	730	730	730	E													
			500	500	500	500	500	D													
		400	400	400				C													
		200	200	200				9													
		100	100	100				7													
	70							6													
	50							5													
	30							3													
Mechanical power in W	20							2													
	10							1													
Diameter in mm	50	60	80	89	113	133	168														
	4,0	4,0	4,0	4,0				N													
					3,0			S													
		2,6		2,6		2,6		K													
			2,4					H													
					2,0		2,0	F													
	1,8	1,8				1,8		E													
	1,4		1,4	1,4			1,4	C													
	1,0	1,0	1,0	1,0	1,0			A													
		0,8	0,8	0,8	0,8	0,8		8													
		0,6			0,6	0,6	0,6	6													
			0,5	0,5	0,5		0,5	5													
		0,4			0,4		0,4	4													
		0,3	0,3	0,3		0,3		3													
Speed in m/s	0,2				0,2	0,2	0,2	2													
Feedback system	Resolver							4													
	magnetic encoder							3													
	Hall sensor							2													
	Sensor-less							1													
Brake	Service brake 0,5 Nm							C													
	Holding brake 1,5 Nm							6													
	Holding brake 0,75 Nm							5													
	No brake							1													
Side B	Double chain							C													
	Toothed belt							T													
	Poly-V belt							V													
	Round belt							R													
	Bead							B													
	No transmission							A													
Protection class	IP54							A													
Tube	Galvanised steel; curve cone							E													
	Galvanised steel; spherical							C													
	Stainless steel V2A; cylindrical							B													
	Galvanised steel; cylindrical							A													
Clamping length in mm															0650						
Cable and connector	Length 0.5 m, M16 screwable connector																			AC	
	Length 0.5 m, connector M8 snap-in																			AB	
	Length 0.5 m, M8 screwable connector																			AA	
Customer-specific version																					C111