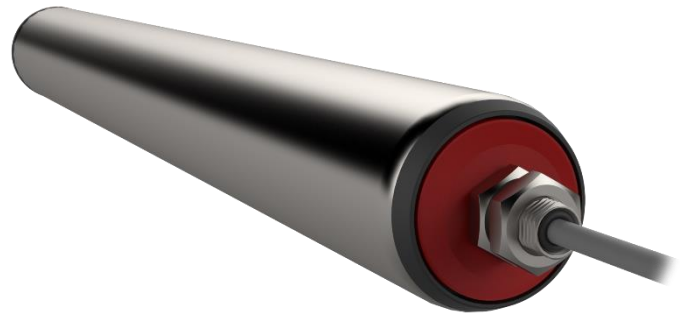


PRODUCT PORTFOLIO

MOTORIZED ROLLERS

Motorized rollers are electrically driven conveyor rollers. The motor, control electronics and power unit are integrated in the tube.

A product portfolio is available for transporting small load carriers, containers, and packages to heavy packages. Mechanical power, clamping length, diameter, and pipe quality can be individually adapted.



Standardised interfaces, such as CANopen or I/Os ensure simple integration in established industry standards.

Properties:

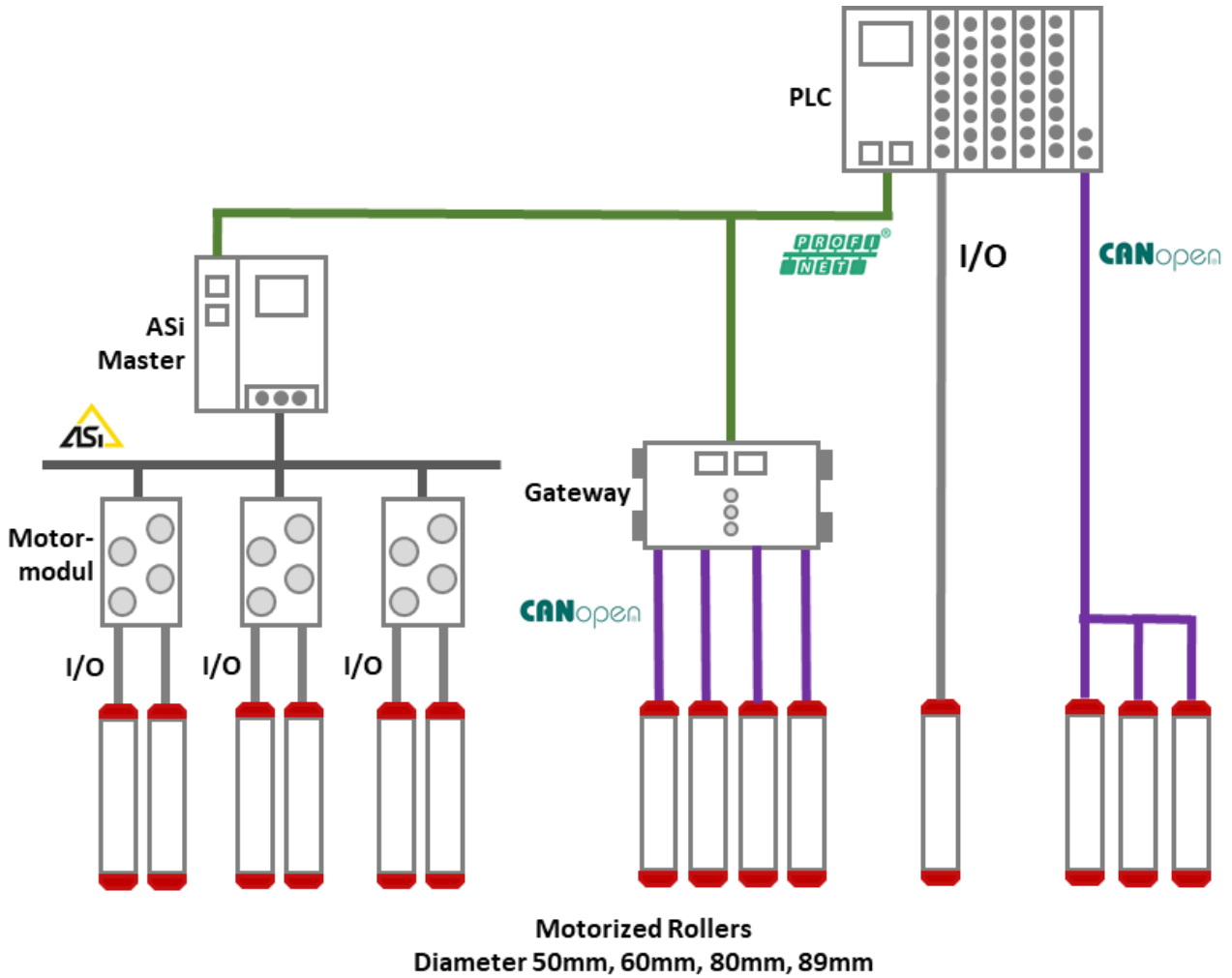
- Integrated motor and electronics
- Nominal voltage 24 VDC or 48 VDC
- Tube diameter from 50 mm to 89 mm
- Gearless versions
- With increased torque demand, integrated gear versions
- Communication via standardised I/O interfaces
- Full digitisation via the CANopen interface

Advantages/Benefits:

- Savings through low wiring effort thanks to integrated electronics
- End-to-end product platform through scalable construction form and motor performance
- Extremely low noise level with gearless versions
- End-to-end digitisation, diagnostics, and analysis via CANopen ensures high availability.
- Simple system integration due to compatibility with current industry standards

System integration:

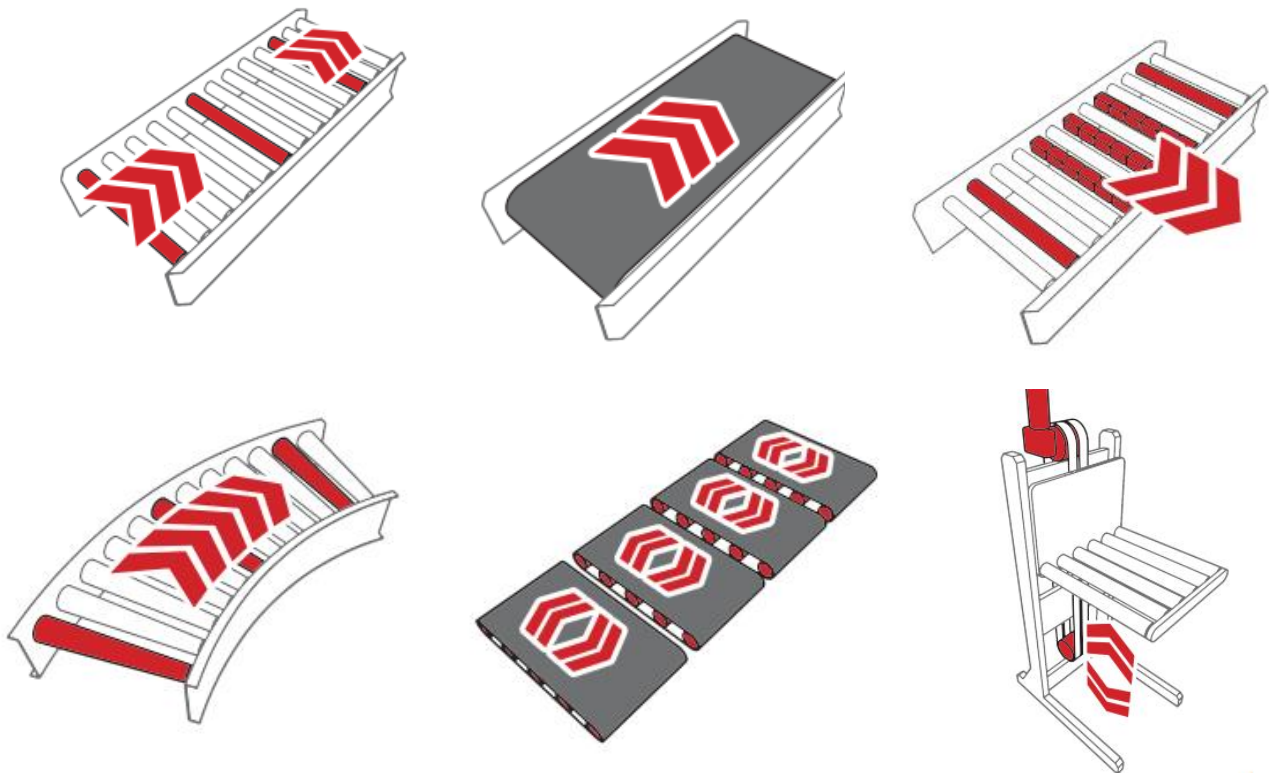
MTA motorized rollers can be effortlessly integrated in standardised automation systems. In addition to current I/O interfaces, CANopen versions are available. These versions enable end-to-end digitisation of the automation solution.



Areas of application:

Motorized rollers are mainly used in stationary conveying technology (longitudinal conveyors, transverse conveyors, accumulating conveyors, off-feeds or curved conveyors), however, are increasingly used in mobile applications (load-carrying equipment for AGVs or AMRs):

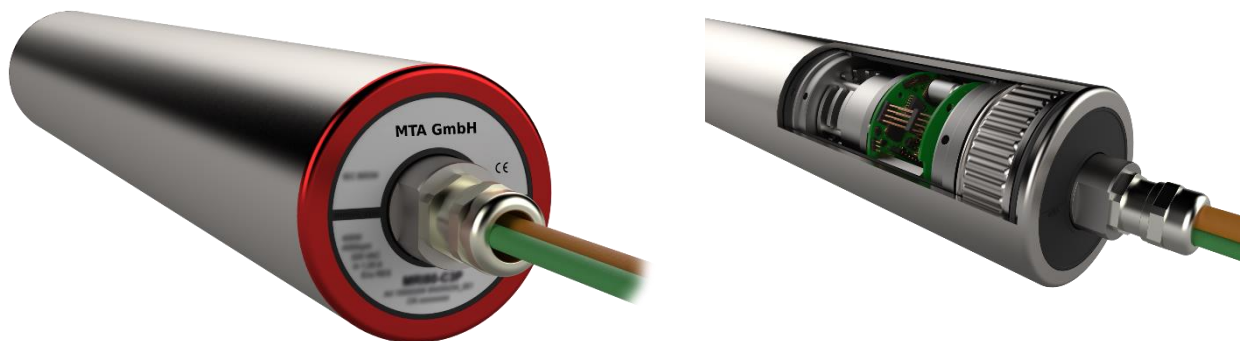
- Small load carriers
- Containers
- Packages
- Pallets
- Load-carrying equipment



Portfolio overview:

Nominal voltage	24 VDC or 48 VDC
Mechanical power	10 W to 730 W
Speed range	0.2 m/s to 4.0 m/s
Interface	I/O, CANopen
Tube diameter	50 mm, 60 mm, 80 mm, 89 mm
Clamping length	150 mm to 1.500 mm
Power transmissions	Round belt, Poly-V belt, sprocket, timing belt
Tube design	Steel or stainless steel, cylindrical, spherical, coated, tapered
Protection class	IP54
Connection technology	Plug-in, screwable or snap-in connectors, terminals

Product images:



Type code:

Motorized rollers	MR	3	D	1	5	A	1	1	R	A	A	-0650-	AA	-C111
Motorized roller	MR													
Outer diameter	89 mm	6												
	80 mm	5												
	60 mm	4												
	50 mm	3												
Transfer	Gearbox		G											
	Direct		D											
Nominal voltage	48 VDC				3									
	24 VDC				1									
Diameter in mm	50	60	80	89										
			730	730	E									
			500	500	D									
		400	400	400	C									
		200	200	200	9									
		100	100	100	7									
	70				6									
	50				5									
	30				3									
Mechanical power in W	20				2									
	10				1									
Diameter in mm	50	60	80	89										
	4,0	4,0	4,0	4,0	N									
		2,6		2,6	J									
			2,4		H									
	1,8	1,8			E									
	1,4		1,4	1,4	C									
	1,0	1,0	1,0	1,0	A									
		0,8	0,8	0,8	8									
	0,6				6									
		0,5	0,5	0,5	5									
	0,4				4									
	0,3	0,3	0,3	0,3	3									
Speed in m/s	0,2				2									
Interface	CAN							7						
	IO5							5						
	IO4							4						
	IO1							1						
Brake	Service brake 0,5 Nm							C						
	Holding brake 1,5 Nm							6						
	Holding brake 0,75 Nm							5						
	No brake							1						
Side B	Double chain								C					
	Toothed belt								T					
	Poly-V belt								V					
	Round belt								R					
	Bead								B					
	No transmission								A					
Protection class	IP54									A				
Tube	Galvanised steel; curve cone										E			
	Galvanised steel; spherical										C			
	Stainless steel V2A; cylindrical										B			
	Galvanised steel; cylindrical										A			
Clamping length in mm												0650		
Cable and connector	Length 0.5 m, M16 screwable connector												AC	
	Length 0.5 m, connector M8 snap-in												AB	
	Length 0.5 m, M8 screwable connector												AA	
Customer-specific version														C111